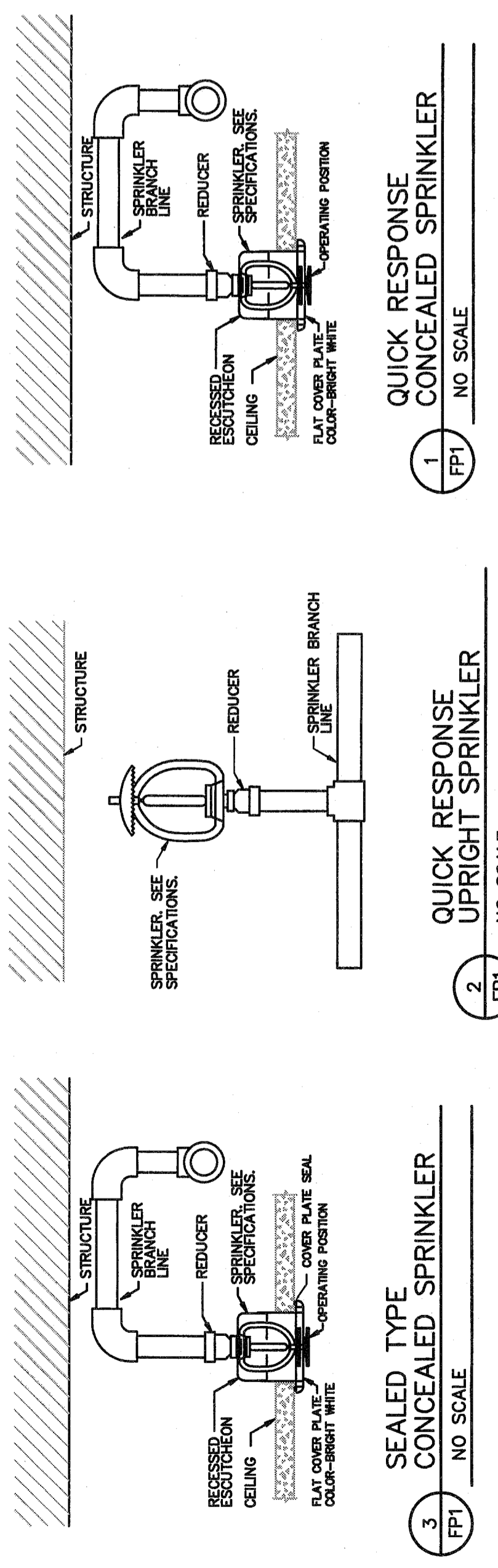


**FLOOR PLAN - DEMO/NEW WORK**  
 FIRE PROTECTION  
 0 1 2 3 4 5 6  
 SCALE: 1/4" = 1'-0"  
 NORTH

- SPRINKLER NOTES:**
- EXISTING LAB BUILDING IS CURRENTLY EQUIPPED WITH WET SYSTEM AUTOMATIC SPRINKLER PROTECTION THROUGHOUT. COORDINATE WITH OVERHEAD LIGHTING, EXISTING WET SYSTEM SPRINKLER HEADS, AND EXISTING WET SYSTEM SPRINKLER PIPING AND CLEAN ROOM TYPE "SEALING CONCEALED" SPRINKLERS THROUGHOUT AND REMOVAL TO ACCORDANCE WITH NFPA 13 REQUIREMENTS. PROVIDE ADDITIONAL MATERIALS AND INSTALLATION LABOR AS MAY BE REQUIRED TO ACHIEVE CODE COMPLIANCE.
  - WHERE REQUIRED, REWORK EXISTING AUTOMATIC SPRINKLER PROTECTION PIPING AS NEEDED WITHIN CONTRACT LIMITS FOR PROPER COVERAGE IN ACCORDANCE WITH NFPA 13 REQUIREMENTS. PROVIDE ADDITIONAL MATERIALS AND INSTALLATION LABOR AS MAY BE REQUIRED TO ACHIEVE CODE COMPLIANCE.
  - ALL MATERIALS, WORKMANSHIP AND TESTING SHALL MEET THE REQUIREMENTS OF NFPA 13, THE ALABAMA DEPARTMENT OF PUBLIC SAFETY, AND THE ALABAMA FIRE MARSHAL'S OFFICE.
  - ALL EXISTING SPRINKLER PIPING SHALL BE REUSED, UNLESS OTHERWISE NOTED. ALL NEW SPRINKLERS, PIPE, AND FITTINGS SHALL BE INSTALLED IN ACCORDANCE WITH NFPA 13, THE ALABAMA DEPARTMENT OF PUBLIC SAFETY, AND THE ALABAMA FIRE MARSHAL'S OFFICE. ALL NEW SPRINKLER PIPING SHALL BE INSTALLED IN ACCORDANCE WITH NFPA 13, THE ALABAMA DEPARTMENT OF PUBLIC SAFETY, AND THE ALABAMA FIRE MARSHAL'S OFFICE. ALL NEW SPRINKLER PIPING SHALL BE INSTALLED IN ACCORDANCE WITH NFPA 13, THE ALABAMA DEPARTMENT OF PUBLIC SAFETY, AND THE ALABAMA FIRE MARSHAL'S OFFICE.
  - REFER TO ARCHITECTURAL FLOOR PLANS, RELOCATED CEILING PLANS, MECHANICAL, LIGHTING POWER AND AUXILIARY DRAWINGS FOR ADDITIONAL INFORMATION OF TOTAL SCOPE OF THE PROJECT WORK.
  - COORDINATE WITH OTHER TRADES INVOLVED ON THE PROJECT IN ACCORDANCE WITH SPECIFICATION SECTION 15030 AND RAISE/REMOVE/RELOCATE PIPING REQUIRED FOR INSTALLATION OF EQUIPMENT BY OTHER TRADES.
  - EXISTING PIPE AND FITTINGS MAY BE REUSED BUT ALL SPRINKLERS WITHIN LIMITS OF CONSTRUCTION SHALL BE NEW. REFER TO ARCHITECTURAL DRAWINGS FOR INFORMATION ON LIMITS OF CONSTRUCTION.
  - CONTRACTOR SHALL ADJUST, ADD OR REMOVE PIPING AS NECESSARY FOR PROPER COVERAGE IN ACCORDANCE WITH NFPA 13 ON BOTH SIZES OF WALLS OR SOFFITS THAT ARE ADDED, REMOVED OR RELOCATED AS PART OF THE CONTRACT WORK.
  - CONTRACTOR SHALL ADJUST, ADD OR REMOVE EXISTING PIPING AS NEEDED TO ACCOMMODATE NEW CEILING HEIGHTS, WALL LAYOUTS AND WORK OF OTHER TRADES. REFER TO ARCHITECTURAL AND MEP DRAWINGS FOR WALL AND EQUIPMENT CHANGES/DEMOLITION WITHIN CONTRACT LIMITS.
  - NEW SPRINKLER SYSTEM PIPING LAYOUT SHALL BE HYDRAULICALLY CALCULATED. REFER TO SPECIFICATION SECTION 15265 FOR SUBMITTAL REQUIREMENTS.
  - FIRE STOP AND SEAL ALL PENETRATIONS IN RATED WALLS IN ACCORDANCE WITH SPECIFICATION SECTION 15050.
  - ALL NET SYSTEM PIPING SHALL BE INSTALLED WITHIN THE HEATED ENVELOPE OF THE BUILDING.

- DEMOLITION NOTES:**
- ALL EXISTING FIRE PROTECTION SYSTEM PIPING AND SPRINKLERS SHALL REMAIN IN PLACE AND IN-SERVICE DURING THE DEMOLITION/REMOVAL OF THE WORK OF OTHER TRADES. CONTRACTOR SHALL BE RESPONSIBLE FOR PROTECTING ALL EXISTING PIPING AND SPRINKLERS FROM DAMAGE DURING THE DEMOLITION/REMOVAL OF THE WORK OF OTHER TRADES.
  - WHERE EXISTING FIRE PROTECTION PIPING IS TO BE DEMOLISHED, CONTRACTOR SHALL BE RESPONSIBLE FOR PROTECTING ALL EXISTING PIPING AND SPRINKLERS FROM DAMAGE DURING THE DEMOLITION/REMOVAL OF THE WORK OF OTHER TRADES.
  - FIRE PROTECTION PIPING SHALL BE RETURNED TO SERVICE AS SOON AS DEMOLITION WORK IS COMPLETED IN AREAS THAT REQUIRE FIRE PROTECTION. CONTRACTOR SHALL BE RESPONSIBLE FOR PROTECTING PIPING FROM DAMAGE DURING THE DEMOLITION/REMOVAL OF THE WORK OF OTHER TRADES.
  - CONTRACTOR SHALL USE EXTREME CARE TO AVOID DAMAGING EXISTING PIPING AND SPRINKLERS THAT COULD CAUSE A FALSE DISCHARGE CONDITION.

- FIRESTOP NOTES:**
- PROVIDE THROUGH-PENETRATION FIRESTOP SYSTEMS FOR PIPING AND AIRLOCK PENETRATIONS THROUGH THE FOLLOWING FIRE-RESISTANCE-RATED ASSEMBLIES:
    - FLOORS
    - WALLS
    - WALLS AND PARTITIONS
    - CONSTRUCTION ENVELOPING COMPARTMENTALIZED AREAS
  - FIRESTOP SYSTEMS PROVIDED SHALL RESIST SPREAD OF FIRE, RESIST PASSAGE OF SMOKE AND OTHER GASES, PROVIDE ULTRA-TIGHT SEALING AND SHALL BE INSTALLED IN ACCORDANCE WITH MANUFACTURER'S GUIDELINES.



EXISTING EQUIPMENT TO BE RELOCATED AND EXISTING WALLS LAB SHUT DOWN OF SPRINKLER PROTECTION SHOULD TAKE CARE TO MAINTAIN NECESSARY DURING THE DEMOLITION WORK OF OTHER TRADES.

LIMITS OF CONTRACT CONSTRUCTION