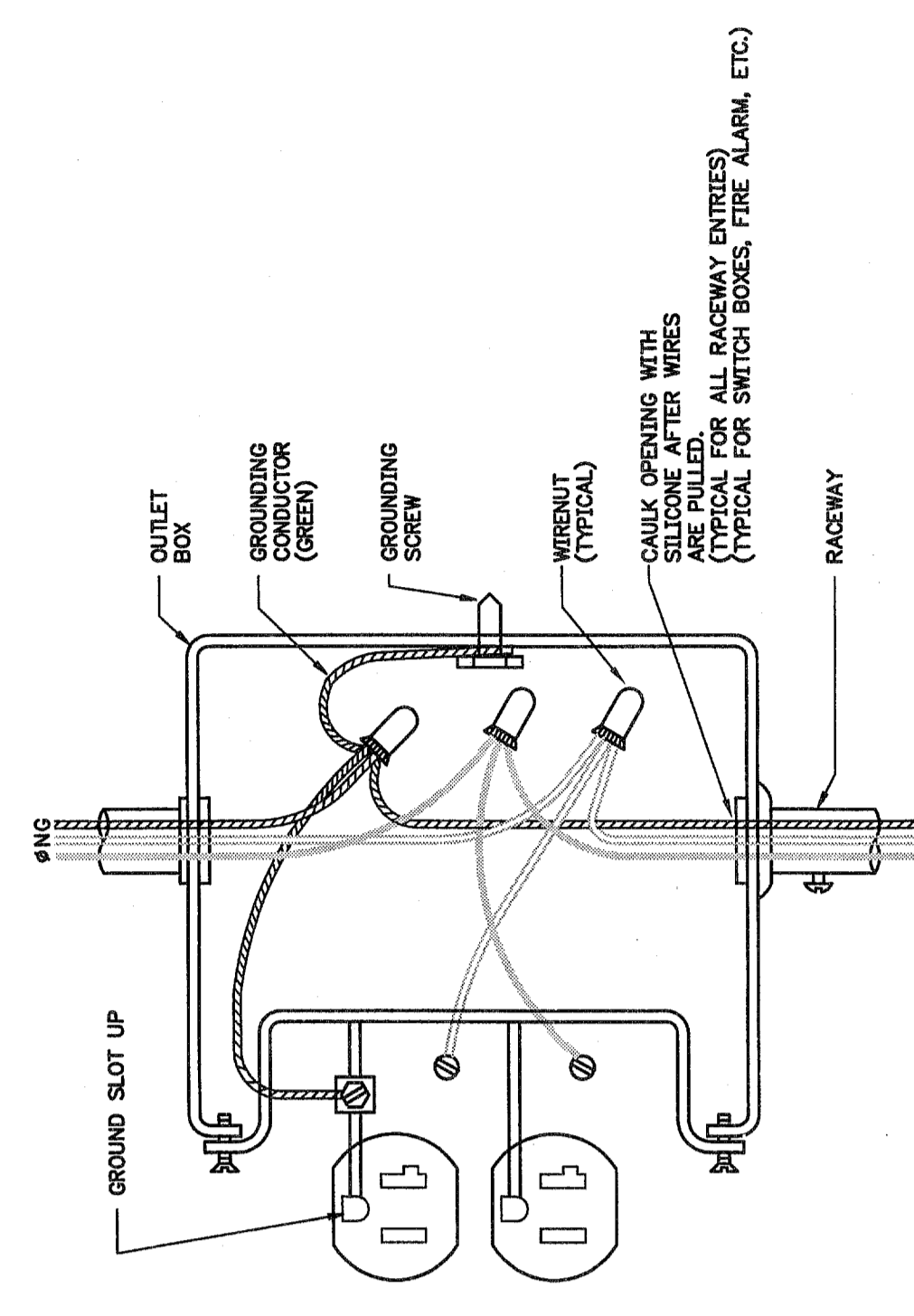
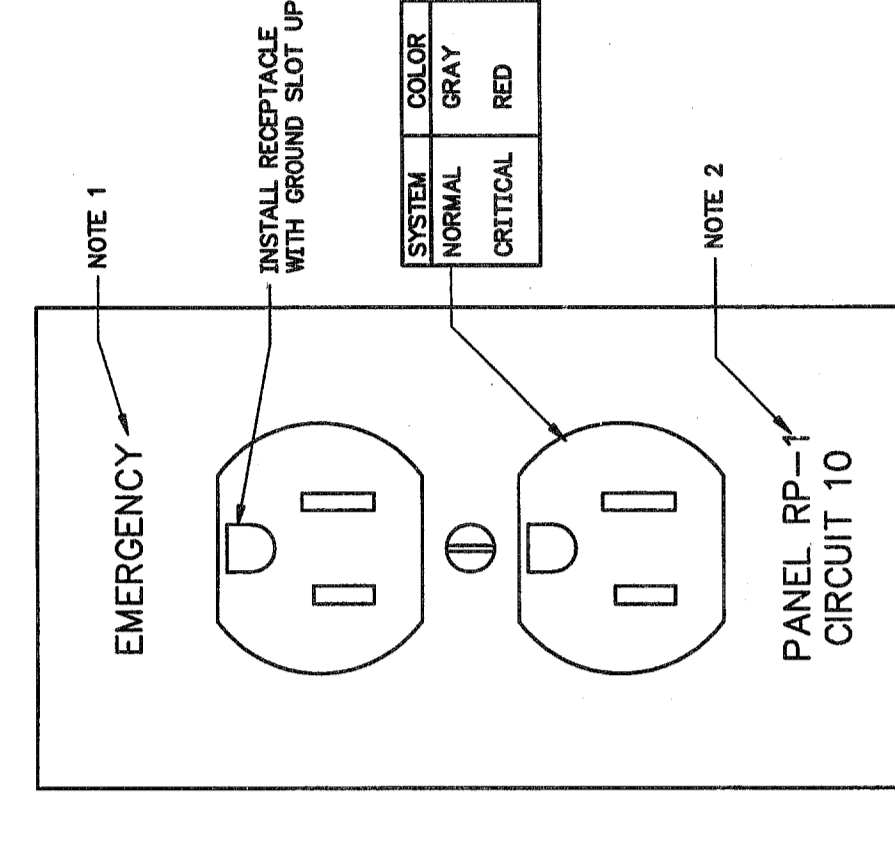


**1** DETAIL  
 STANDARD MOUNTING HEIGHTS  
 NO SCALE  
 E0.03

NOTES:  
 1. MOUNTING HEIGHTS SHOWN ARE FROM FINISHED FLOOR TO CENTERLINE OF OUTLET, UNLESS OTHERWISE NOTED.  
 2. LOCATIONS OF OUTLETS SHOWN ON ARCHITECTURAL ELEVATIONS SHALL BE MAINTAINED UNLESS OTHERWISE NOTED.  
 3. INSTALL OUTLETS THAT ARE IN CLOSE PROXIMITY ON THE SAME CENTERLINE. OUTLETS THAT ARE WITHIN 2'-0" HORIZONTALLY AND WITHIN 1'-0" VERTICALLY SHALL BE INSTALLED ON THE SAME CENTERLINE. OUTLETS THAT ARE MORE THAN 1'-0" APART VERTICALLY SHALL BE INSTALLED ON THE SAME VERTICAL CENTERLINE.

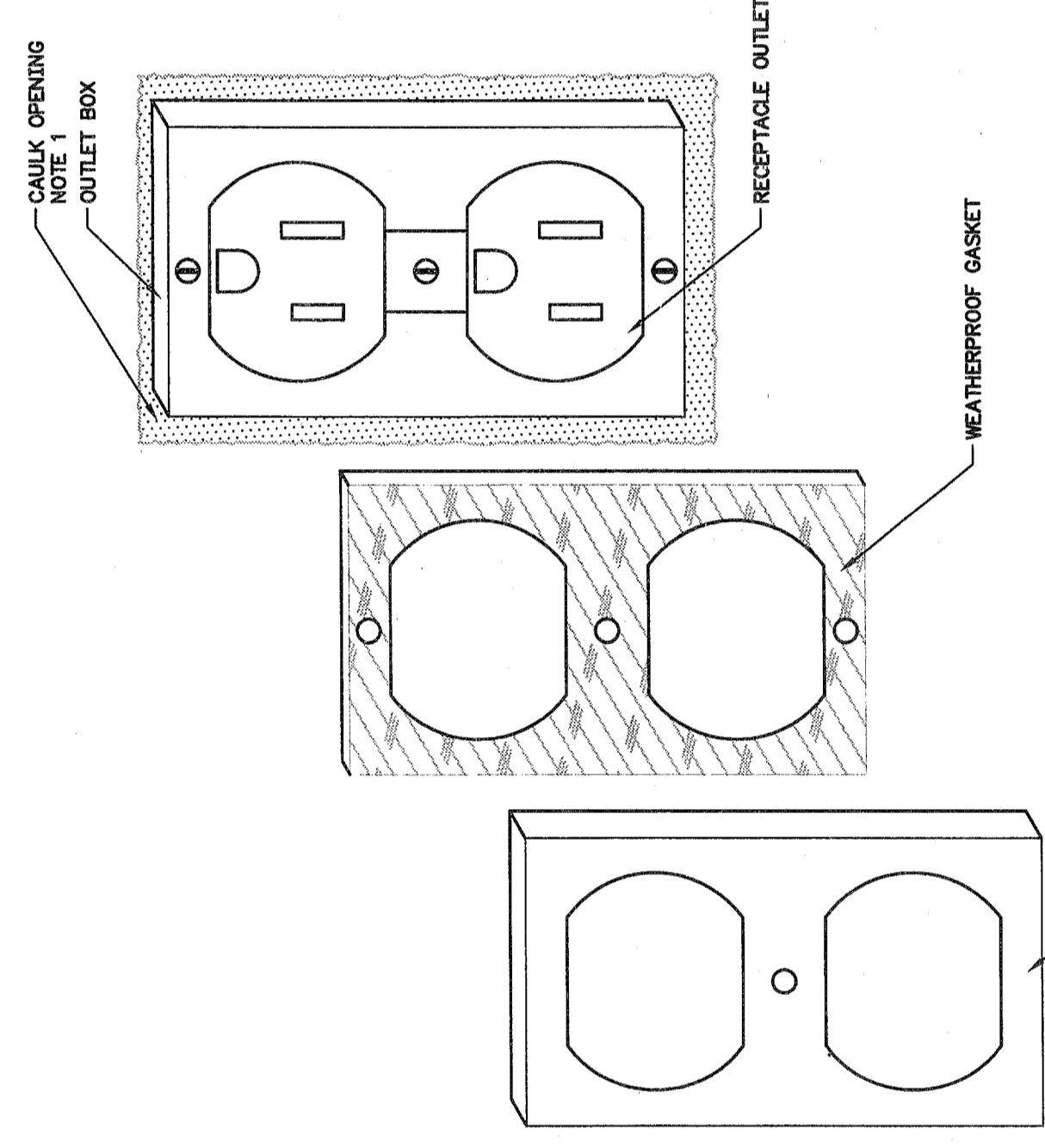


**2** DETAIL  
 TYPICAL INSTALLATION OF RECEPTACLE  
 NO SCALE  
 E0.03



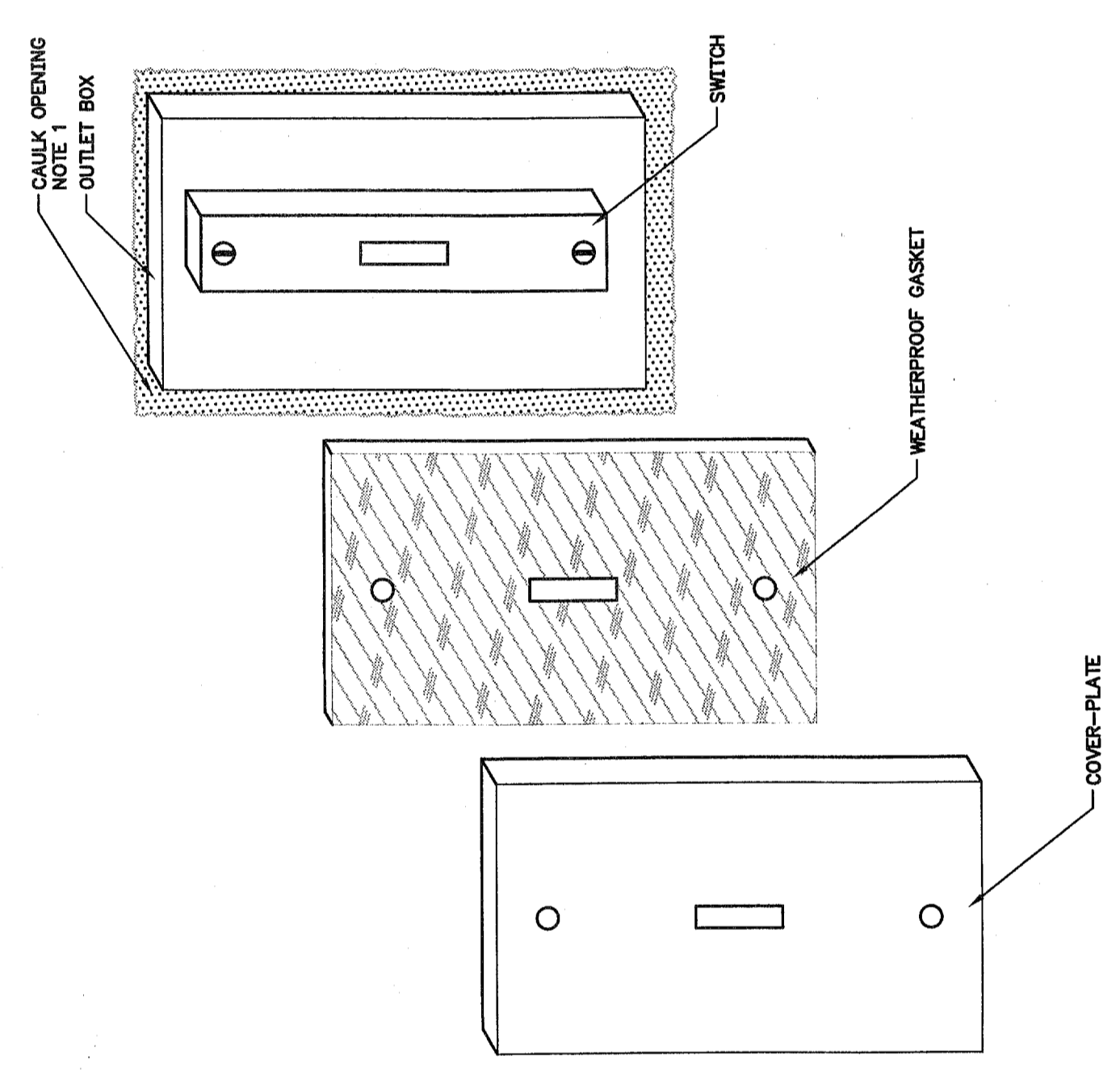
**3** DETAIL  
 DUPLEX RECEPTACLE  
 NO SCALE  
 E0.03

NOTE:  
 1. ALL RECEPTABLES AND LIGHT SWITCHES ON EMERGENCY POWER SYSTEM SHALL HAVE DOUBLE PLATE ENGRAVED READING "EMERGENCY" IN RED LETTERS. ALL RECEPTABLES AND LIGHT SWITCHES ON EMERGENCY POWER SHALL BE "RED".  
 2. ENGRAVED INDICATING PANELBOARD AND CIRCUIT NUMBER SUPPLYING THEM.



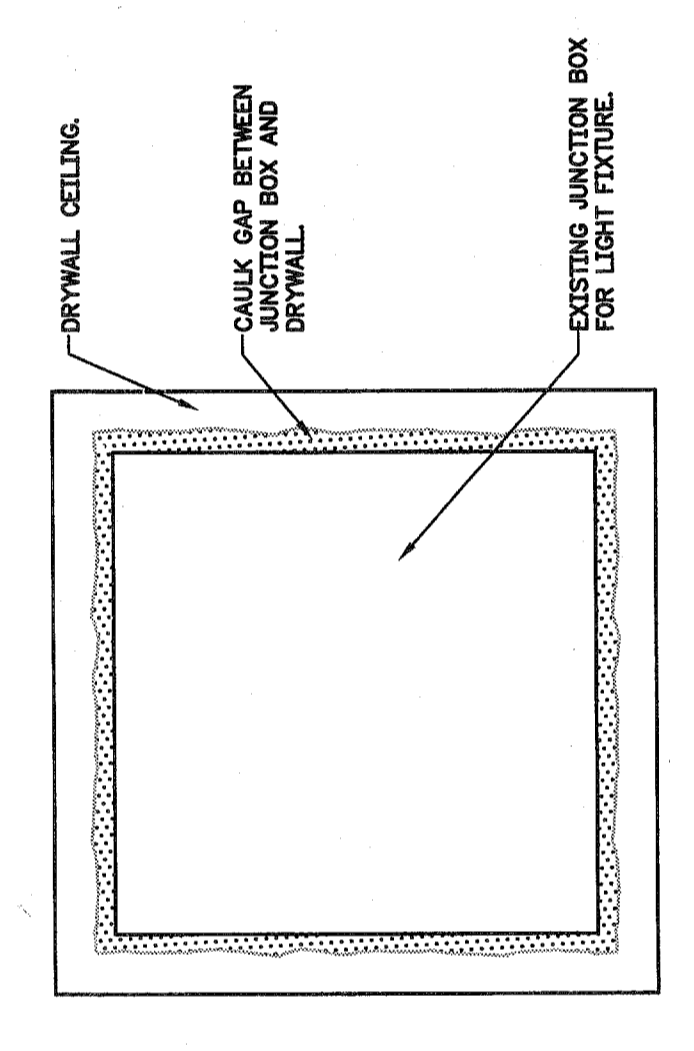
**4** DETAIL  
 OUTLET INSTALLATION  
 NO SCALE  
 E0.03

NOTE:  
 1. CALK THE OPENINGS BETWEEN THE OUTLET BOXES AND THE WALL FOR ALL NEW, EXISTING TO REMAIN, AND EXISTING TO REMAIN RECEPTABLES WITHIN THE PROJECT SCOPE AREA.  
 2. SINGLE GANG SHOWN. SAME WOULD APPLY FOR DOUBLE GANG BOXES.

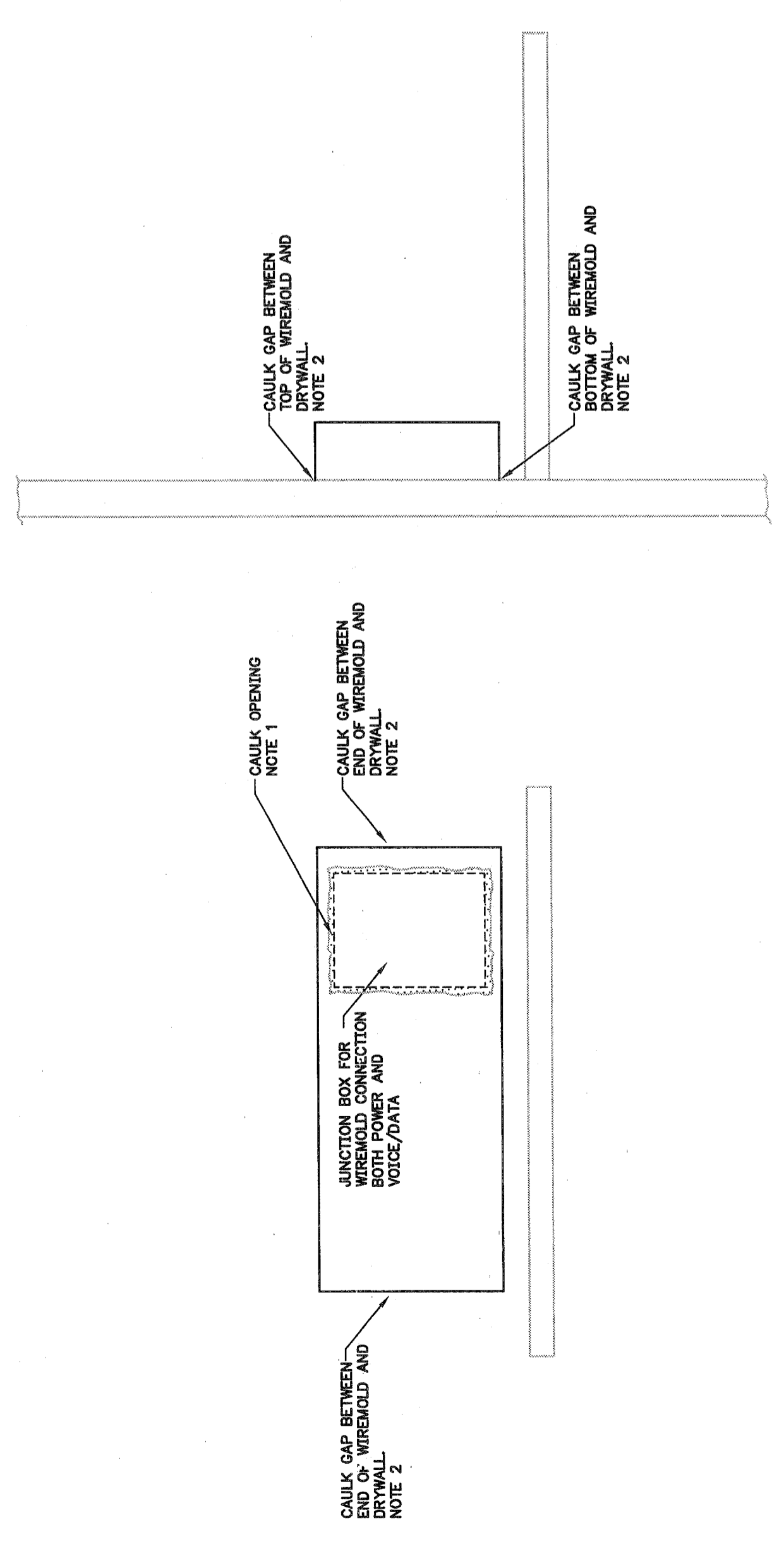


**5** DETAIL  
 SWITCH INSTALLATION  
 NO SCALE  
 E0.03

NOTE:  
 1. CALK THE OPENINGS BETWEEN THE OUTLET BOXES AND THE WALL FOR ALL NEW, EXISTING TO REMAIN, AND EXISTING TO REMAIN RECEPTABLES WITHIN THE PROJECT SCOPE AREA.  
 2. SINGLE GANG SHOWN. SAME WOULD APPLY FOR DOUBLE GANG BOXES.

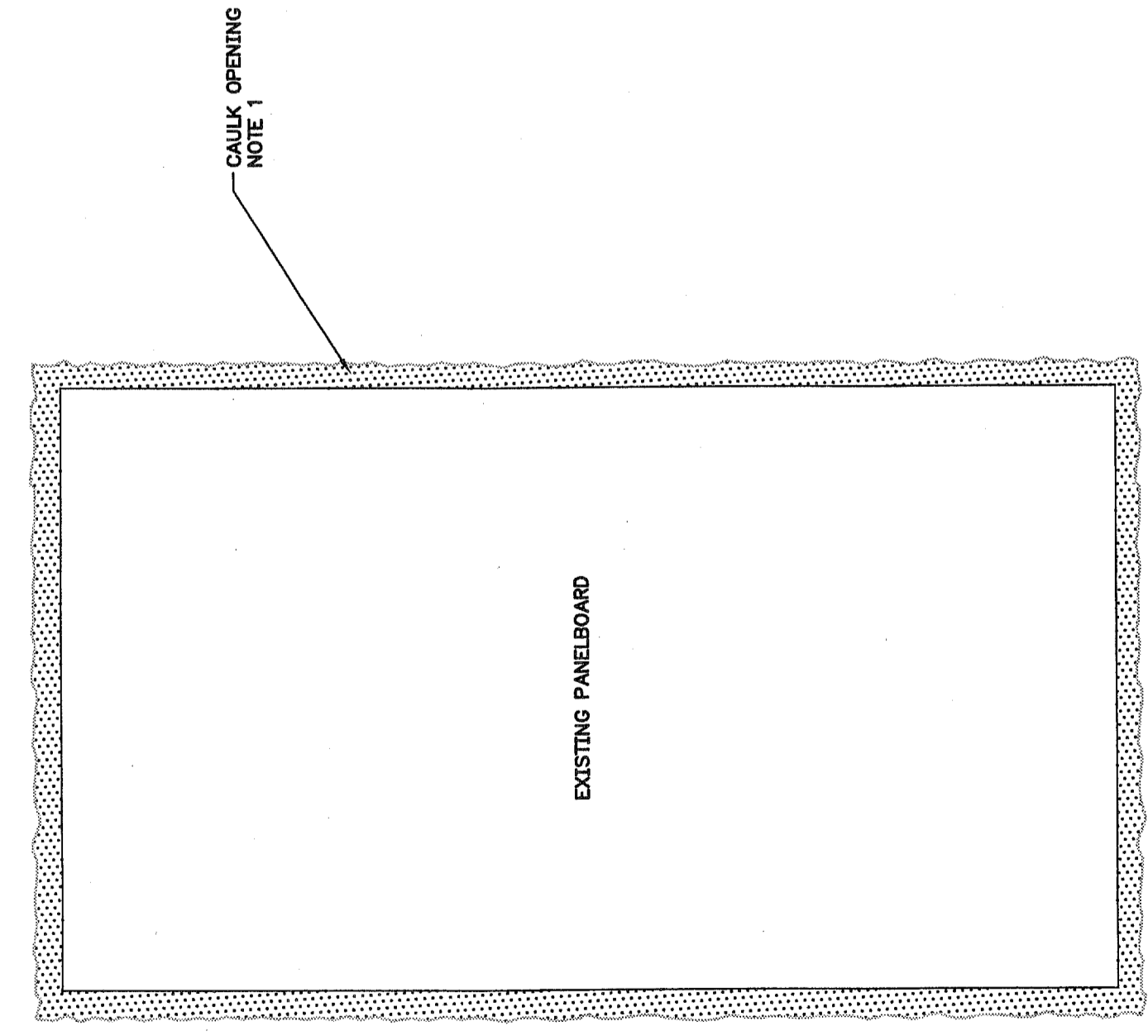


**6** DETAIL  
 SURFACE MOUNTED LIGHT  
 INSTALLATION  
 NO SCALE  
 E0.03



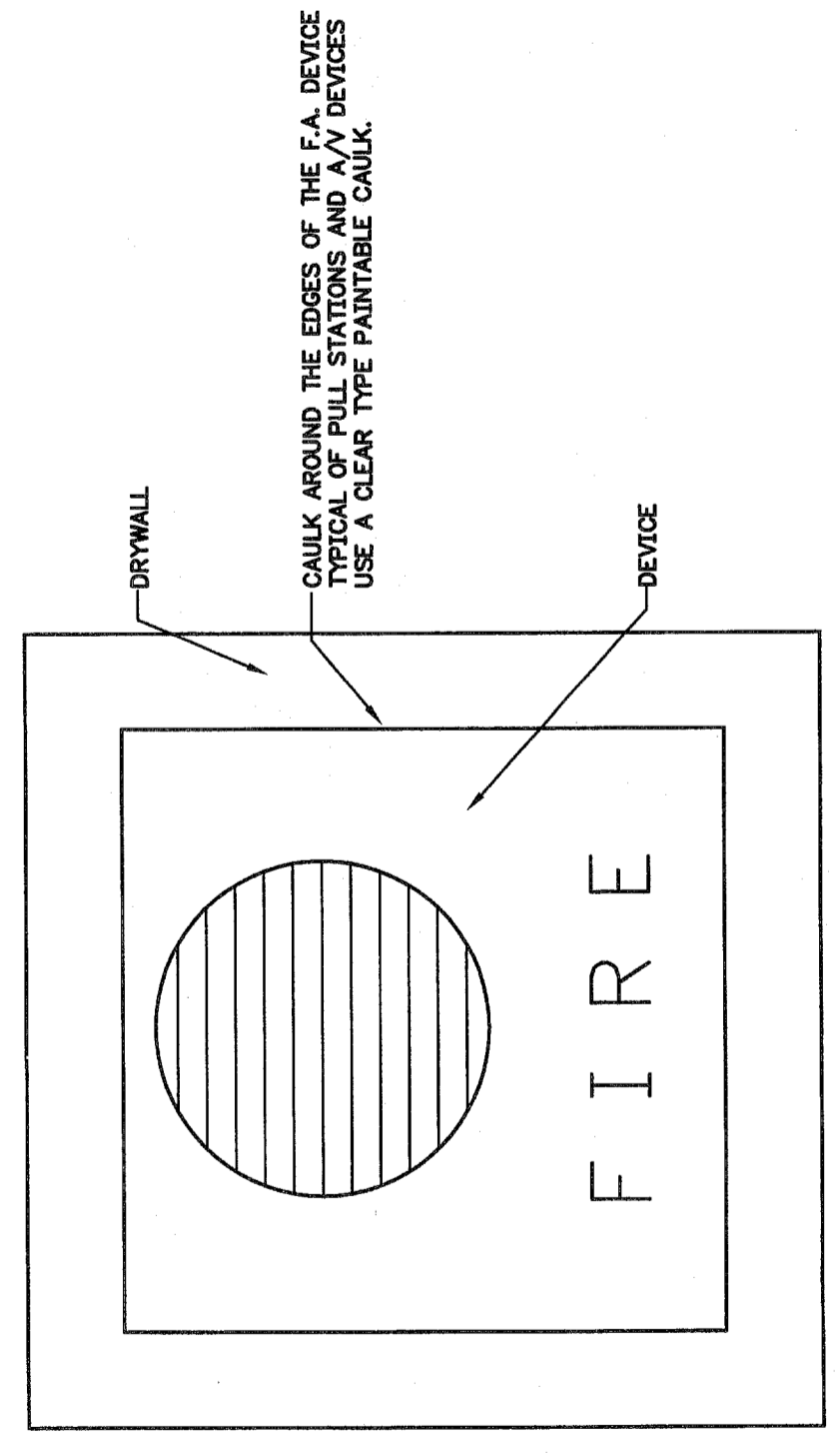
**7** DETAIL  
 SURFACE MOUNT WIREMOLD  
 INSTALLATION  
 NO SCALE  
 E0.03

NOTE:  
 1. CALK THE OPENINGS BETWEEN THE OUTLET BOXES AND THE WALL FOR ALL NEW, EXISTING TO REMAIN, AND EXISTING TO REMAIN RECEPTABLES WITHIN THE PROJECT SCOPE AREA.  
 2. USE A CLEAR TYPE PAINTABLE CALK.



**8** DETAIL  
 EXISTING PANELBOARD "PNL 1"  
 NO SCALE  
 E0.03

NOTE:  
 1. CALK THE OPENINGS BETWEEN THE EXISTING PANELBOARD "PNL 1" AND THE WALL.



**9** DETAIL  
 FIRE ALARM DEVICES  
 NO SCALE  
 E0.03