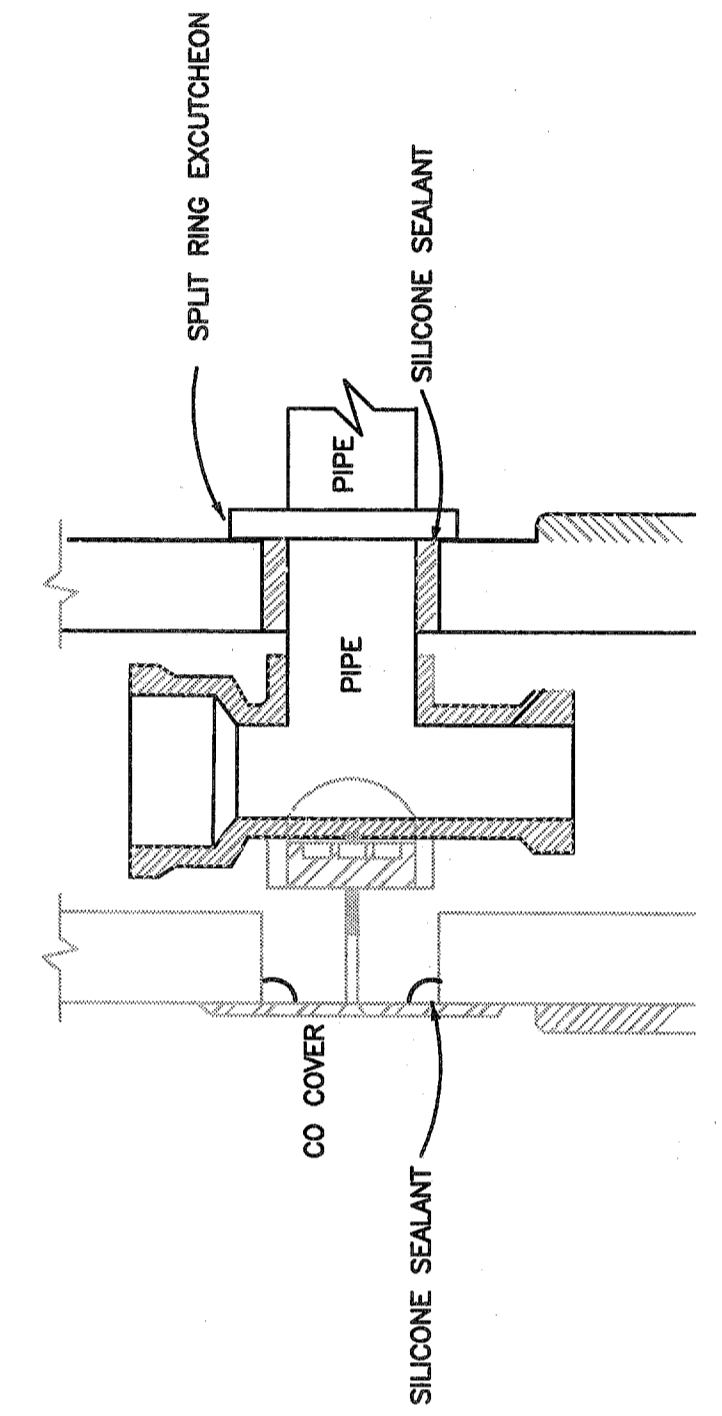


- KEYED NOTES:**
- ① REMOVED THE EXISTING PLUMBING FIXTURE CLEAN AND PREPARE FOR RE-INSTALLATION.
 - ② INSULATE WATER HEATER PIPING AND INSTALL EXPANSION TANK
 - ③ INSTALL NEW EYEWASH AT SINK
 - ④ RE-INSTALL EXISTING POINT OF USE WATER HEATER AT SINK

FLOOR PLAN - NEW WORK
 PLUMBING
 0 1 2 3 4 5 6 7 8
 SCALE: 1/4" = 1'-0"
 NORTH



WALL PENETRATION SEALING DETAIL
 NO SCALE

PLUMBING FIXTURE BASIS OF DESIGN		REMARKS
FIX. NO.	DESCRIPTION	MANUFACTURER & MODEL NUMBER
EW	EMERGENCY EYEWASH	HANS 7612H OR 7612UBECK MOUNTED EMER. EYEWASH, SHING A WAY TYPE. INSTALL NEXT TO SINK.
TW	WASH VALVE	LAWLER 91E FOR EYEWASH.
		WITH TW, INSULATE WATER HEATER PIPING AND INSTALL EXPANSION TANK.
		RE-INSTALL EXISTING POINT OF USE WATER HEATER AT SINK.