

**GENERAL NOTES**

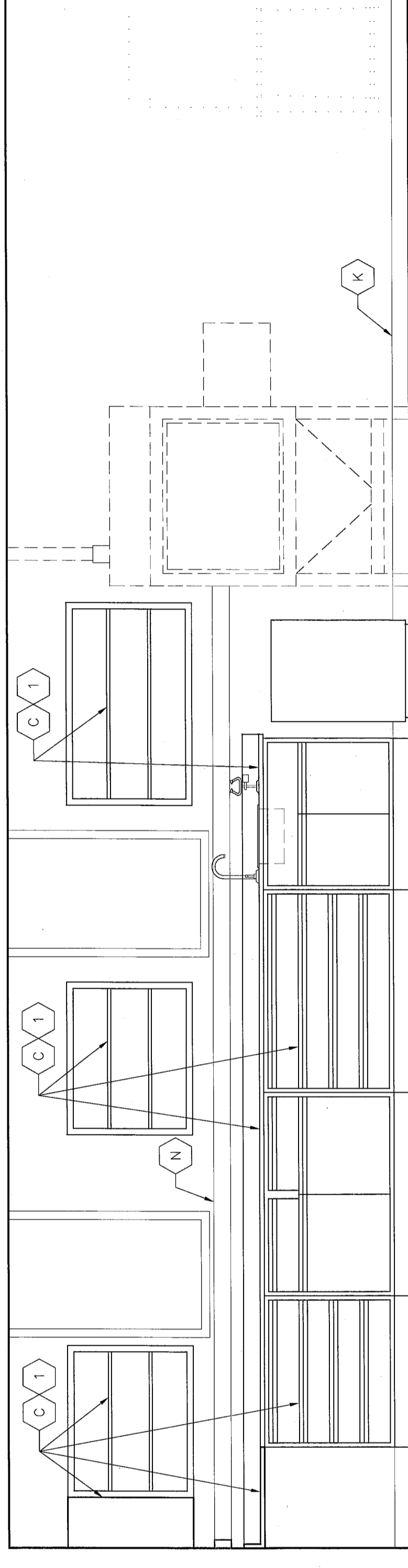
- REMOVE ALL EXISTING PAPER FACED GYPSUM BOARD WITHIN PROJECT LIMITS. REPAIR WITH PAPERLESS GYPSUM BOARD IN ALL "WET" AREAS.
- EXTEND ALL INTERIOR WALLS AND INTERIOR CEILING OF EXTERIOR WALLS TO STEEL DECK ABOVE. PROVIDE AIRTIGHT SEAL OF ALL INTERIOR AND EXTERIOR WALLS TO STEEL DECK ABOVE AND FLOOR SLAB BELOW.
- PROVIDE AIRTIGHT SEAL OF ALL EXISTING AND NEW FLOOR, WALL, CEILING AND ROOF PENETRATIONS.
- PROVIDE AIRTIGHT SEAL AT THE CONNECTION OF NEW GYPSUM WALL BOARD/GYPSUM CEILING TO EXISTING WINDOW FRAMES.
- PROVIDE SEALANT AT PERIMETER OF ALL WALL HUNG CASEWORK.

**DEMOLITION CODED NOTES**

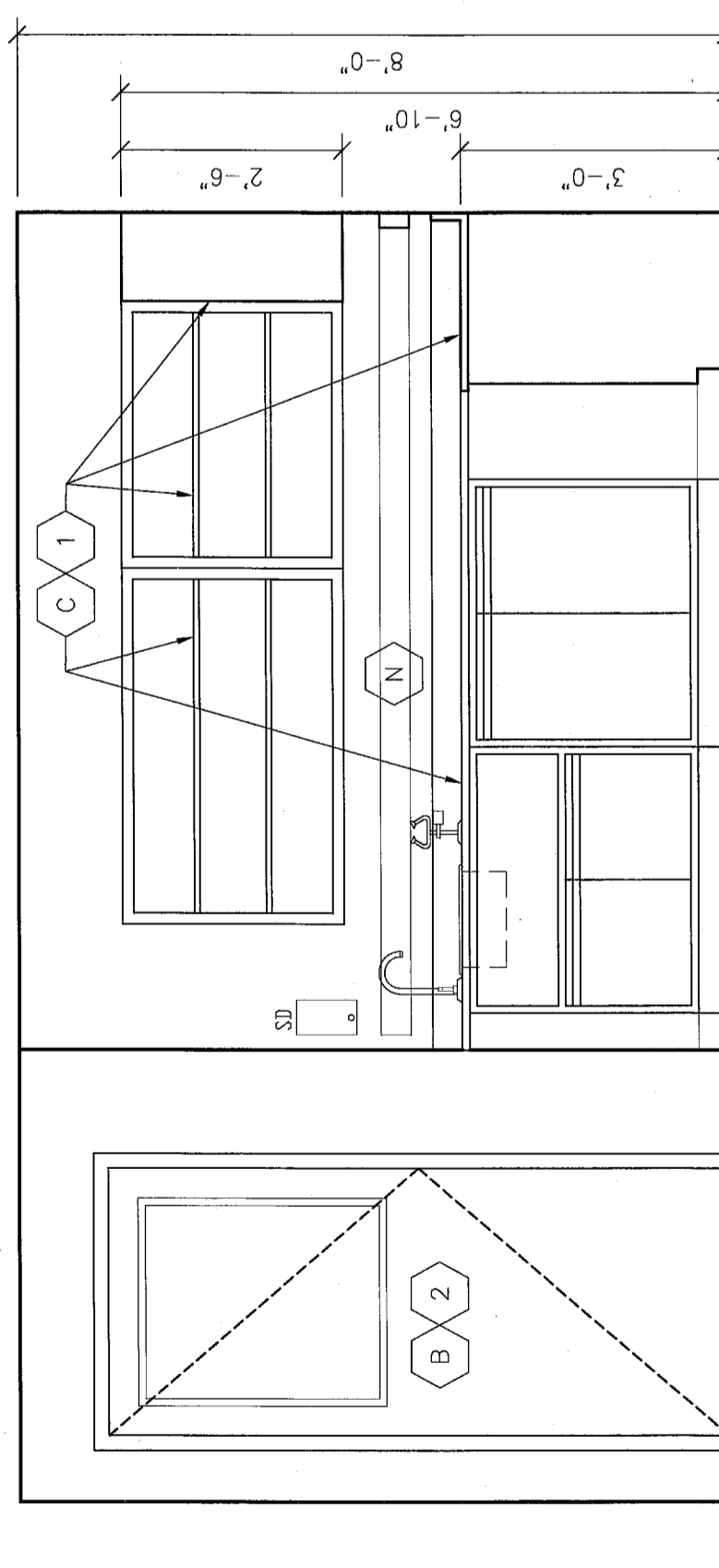
- CAREFULLY REMOVE EXISTING GYPSUM WALL BOARD PER OWNER'S MOLD ABATEMENT CONSULTANT'S RECOMMENDATIONS. METAL STUD WALL SYSTEM TO REMAIN INTACT.
- REMOVE ALL EXISTING DOORS AND ASSOCIATED FRAMES. METAL STUD WALL SYSTEM TO REMAIN INTACT.
- UNINSTALL, CLEAN AND STORE EXISTING LABORATORY CASEWORK FOR REINSTALLATION.
- DISCONNECT AND MOVE BIOLOGICAL-SAFETY CABINET TO CENTER OF ROOM. PROTECT EQUIPMENT DURING DEMOLITION. REINSTALL BIOLOGICAL-SAFETY CABINET AFTER EXISTING GYPSUM BOARD WALL BEHIND CABINETS HAS BEEN REPLACED.
- REMOVE EXISTING LOCKERS. CLEAN AND STORE FOR REINSTALLATION.
- REMOVE EXISTING SUSPENDED GYPSUM BOARD CEILING SYSTEM PER OWNER'S MOLD ABATEMENT CONSULTANT'S RECOMMENDATIONS. REMOVE ASSOCIATED CEILING SYSTEM MATERIALS INCLUDING: POP, JOINT COMPOUND, JOINT TAPE, SAFETY SHOWER, SUPPLY AND RETURN GRILLES, DUCTWORK, BACK TO MAIN TRUNKS, AS INDICATED ON MEP DRAWINGS. REMOVE EXISTING SECURITY SYSTEMS, VIDEO SURVEILLANCE CAMERAS, PROTECT/RETAIN EXISTING SPRINKLER HEADS.
- REMOVE EXISTING SUSPENDED GYPSUM BOARD CEILING MATERIALS INCLUDING: POP, JOINT COMPOUND, JOINT TAPE AND RETURN GRILLES AND SECURITY SYSTEM CAMERAS, PROTECT/RETAIN EXISTING SPRINKLER HEADS.
- REMOVE, CLEAN AND STORE EXISTING SECURITY SYSTEM CAMERAS AND DOOR CONTROLS FOR REINSTALLATION.
- REMOVE EXISTING SHOWER, STALL CURB, INTEGRAL COVE BASE, CURTAINS, CURTAIN RODS, SHOWER CONTROLS, SHOWERHEADS, GYPSUM BOARD SUBSTRATE. METAL STUD WALL SYSTEM TO REMAIN INTACT.
- PROTECT EXISTING AUTOGRAVE AND WALL PENETRATION SIZING INTERIOR FINISHES CONSTRUCTION.
- REMOVE EXISTING INTEGRAL COVE BASE AND PREP INTERIOR BASE SYSTEM.
- REMOVE EXISTING INTERIOR WINDOW, METAL STUD WALL SYSTEM TO REMAIN INTACT.
- REMOVE, CLEAN AND STORE EXISTING WATER CLOSET AND PLUMBING FIXTURES FOR REINSTALLATION, AS INDICATED ON PLUMBING DRAWINGS.
- REMOVE, CLEAN AND STORE EXISTING SURFACE-MOUNTED ELECTRICAL RACKWAY (PLUGMOLD) FOR REINSTALLATION, AS INDICATED ON ELECTRICAL DRAWINGS.
- REMOVE, CLEAN AND STORE EXISTING SURFACE-MOUNTED, ARCHITECTURAL SPECIALTIES AND TOILET ACCESSORIES (PAPER DISPENSER, TOWEL TISSUE DISPENSER, SOAP DISPENSER, ETC.)

**CONSTRUCTION CODED NOTES**

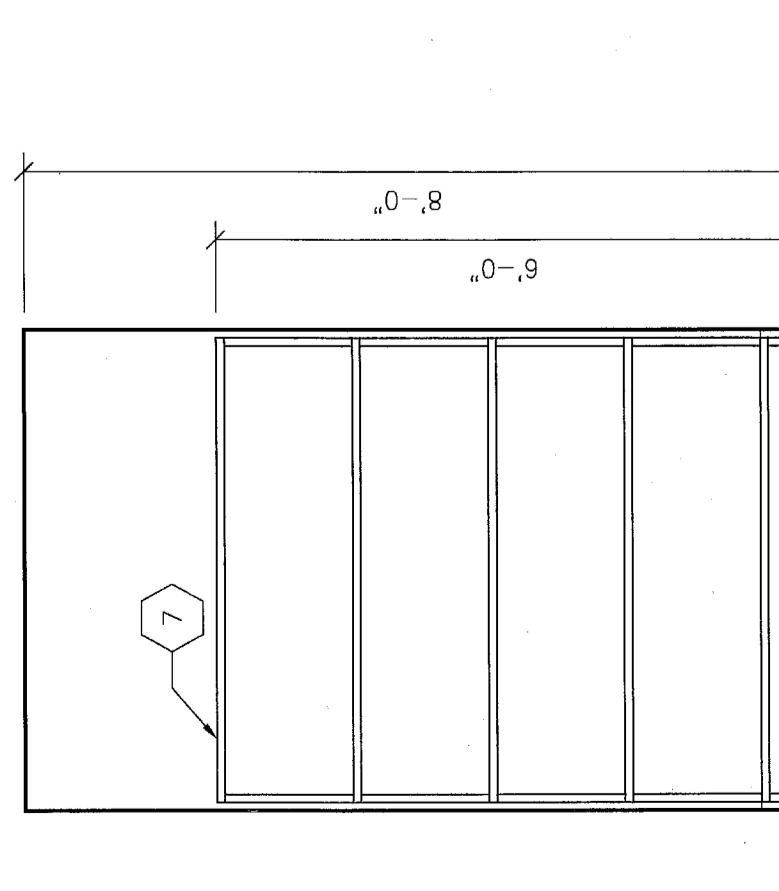
- REINSTALL EXISTING LABORATORY CASEWORK.
- PROVIDE NEW DOORS, FRAMES, HARDWARE SEALS AND BASKETS FOR ALL EXISTING OPENINGS WITHIN PROJECT AREA.
- SEE MECHANICAL DRAWINGS FOR ADDED CRAWL SPACE VENTILATION.
- PROVIDE NEW R-19 CELLULOSE FREE BATT INSULATION-TYPICAL @ ALL EXTERIOR WALLS. CONTRACTOR TO COORDINATE WITH OWNER'S MOLD ABATEMENT CONSULTANT TO PROVIDE PROTECTIVE MEASURES FOR INTERIOR SHEATHING PRIOR TO INSTALLATION OF NEW INSULATION.
- EXISTING ROOFING SYSTEM TO REMAIN. PROVIDE ROOF CURBS & ROOF PENETRATIONS IN COMPLIANCE WITH ROOFING MANUFACTURER RECOMMENDATIONS.
- EXISTING EFS SYSTEM AND EXTERIOR SHEATHING TO REMAIN. SEE ALTERNATES.
- EXISTING WIRE SLEEVING - REMOVE & REINSTALL UPON COMPLETION OF THE PROJECT.
- REINSTALL LOCKERS
- PROVIDE CELLULOSE FREE-SUSPENDED GYPSUM BOARD CEILING SYSTEM WITH COORD TRANSITIONS AT ALL WALLS.
- PROVIDE CELLULOSE FREE-MOISTURE RESISTANT GYPSUM BOARD CEILING SYSTEM WITH COVID TRANSITIONS AT ALL WALLS.



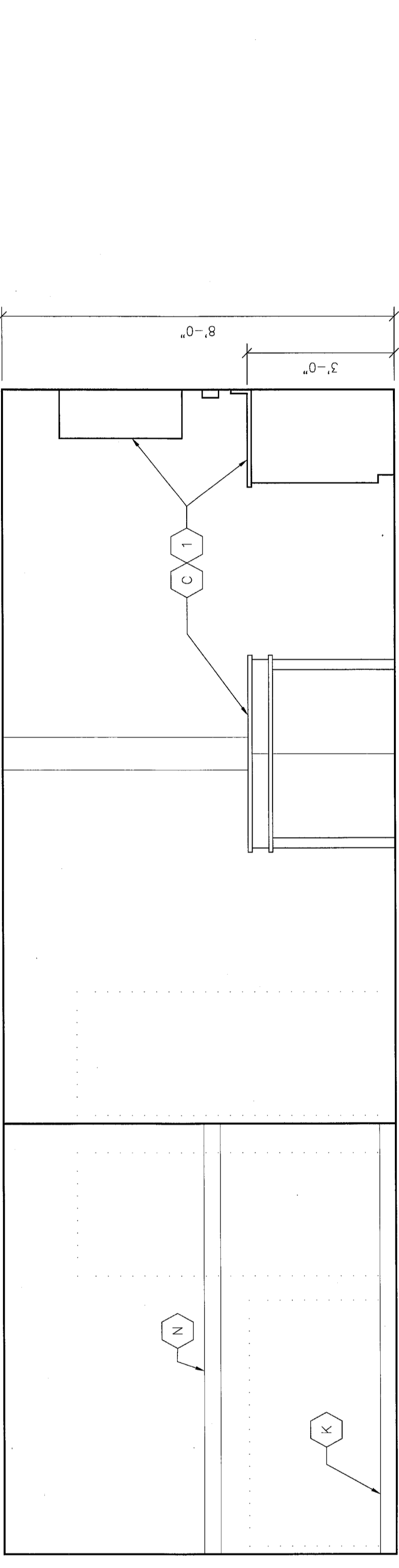
3 LAB M-B3  
1/2"=1'-0"



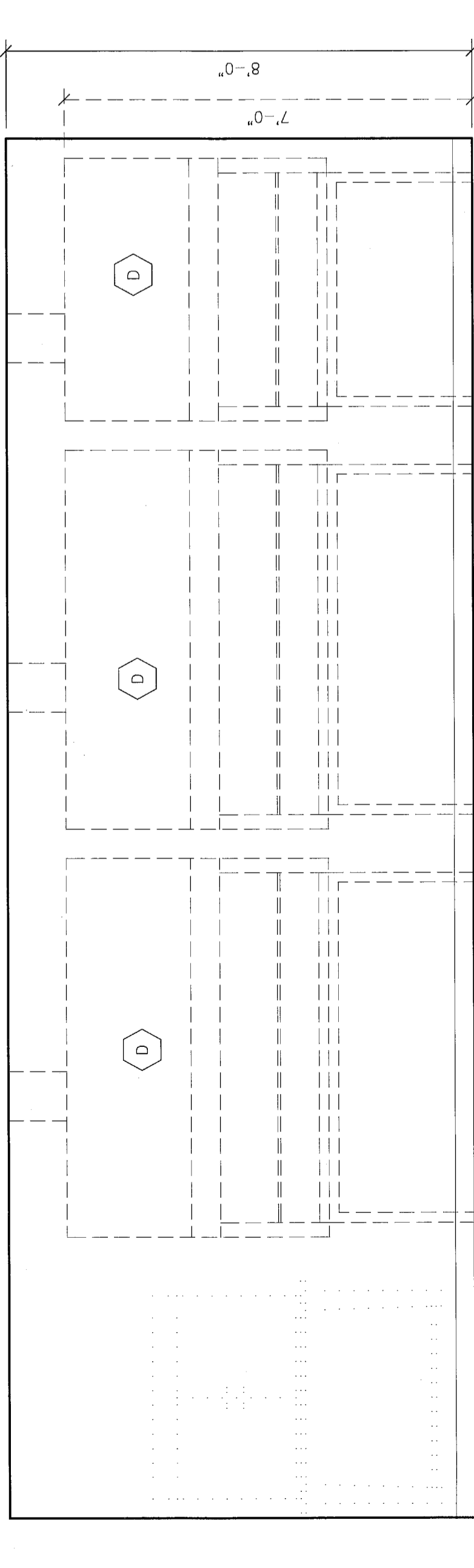
2 LAB M-B3  
1/2"=1'-0"



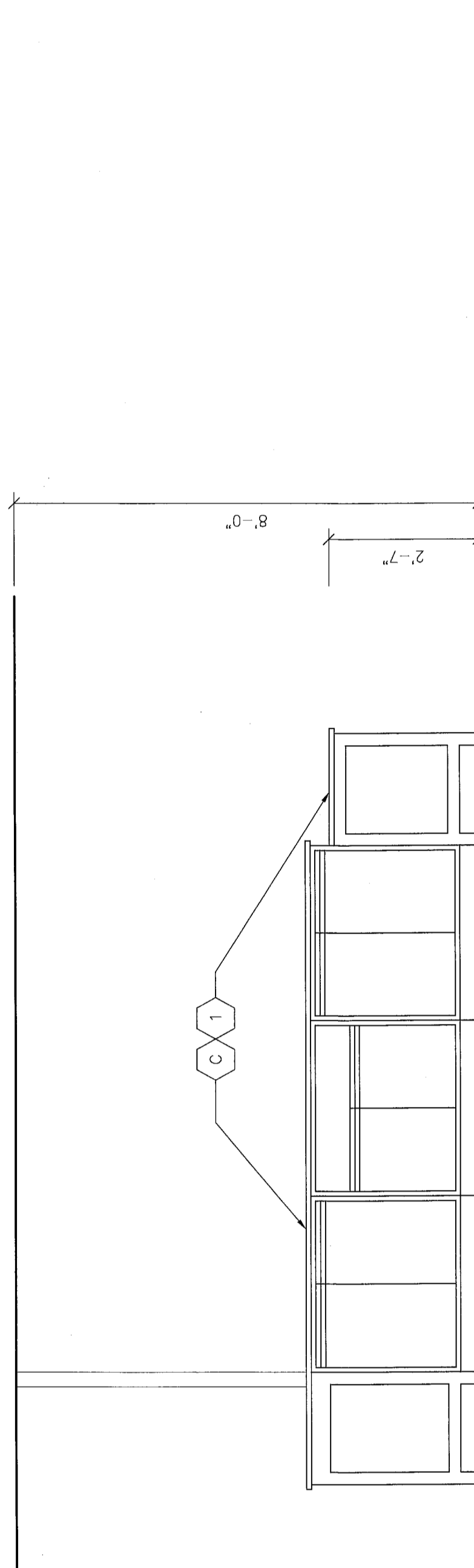
1 EVIDENCE M-B4  
1/2"=1'-0"



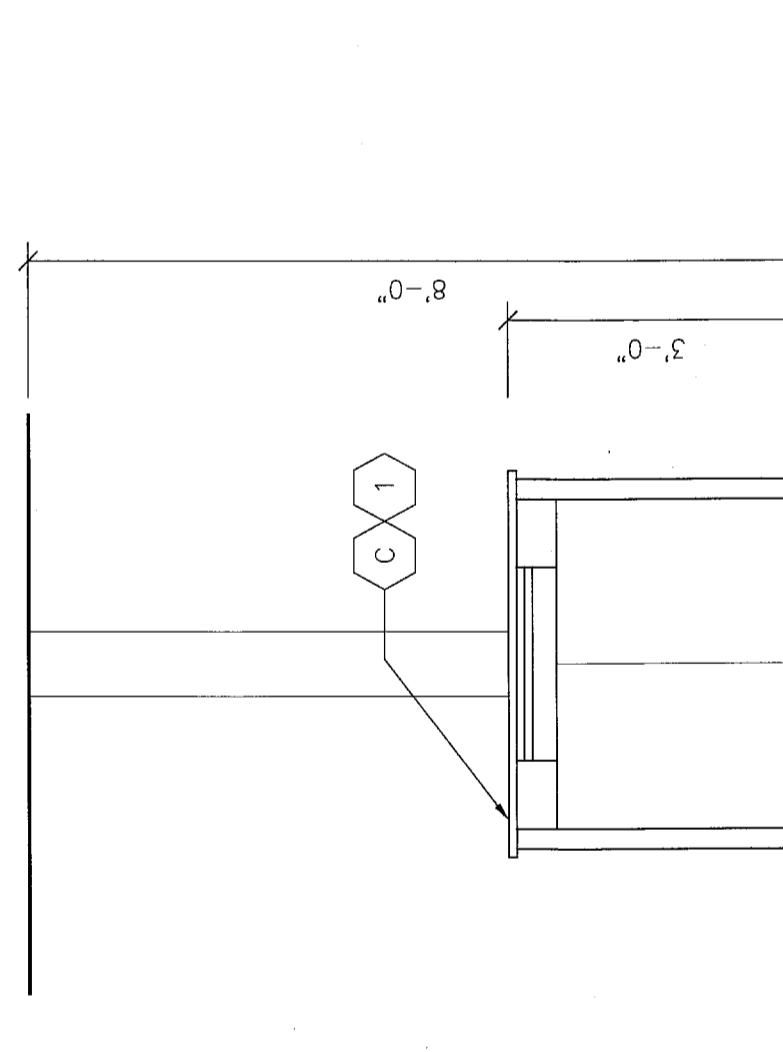
5 LAB M-B3  
1/2"=1'-0"



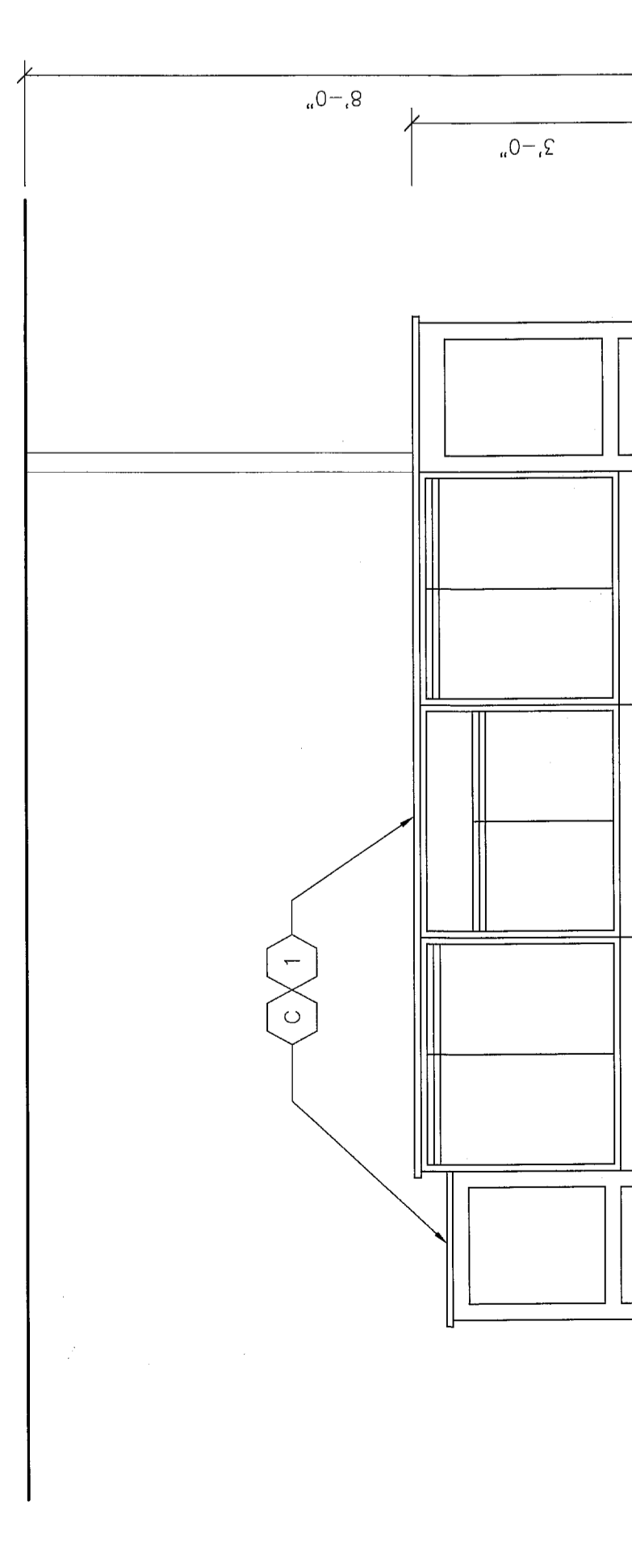
4 LAB M-B3  
1/2"=1'-0"



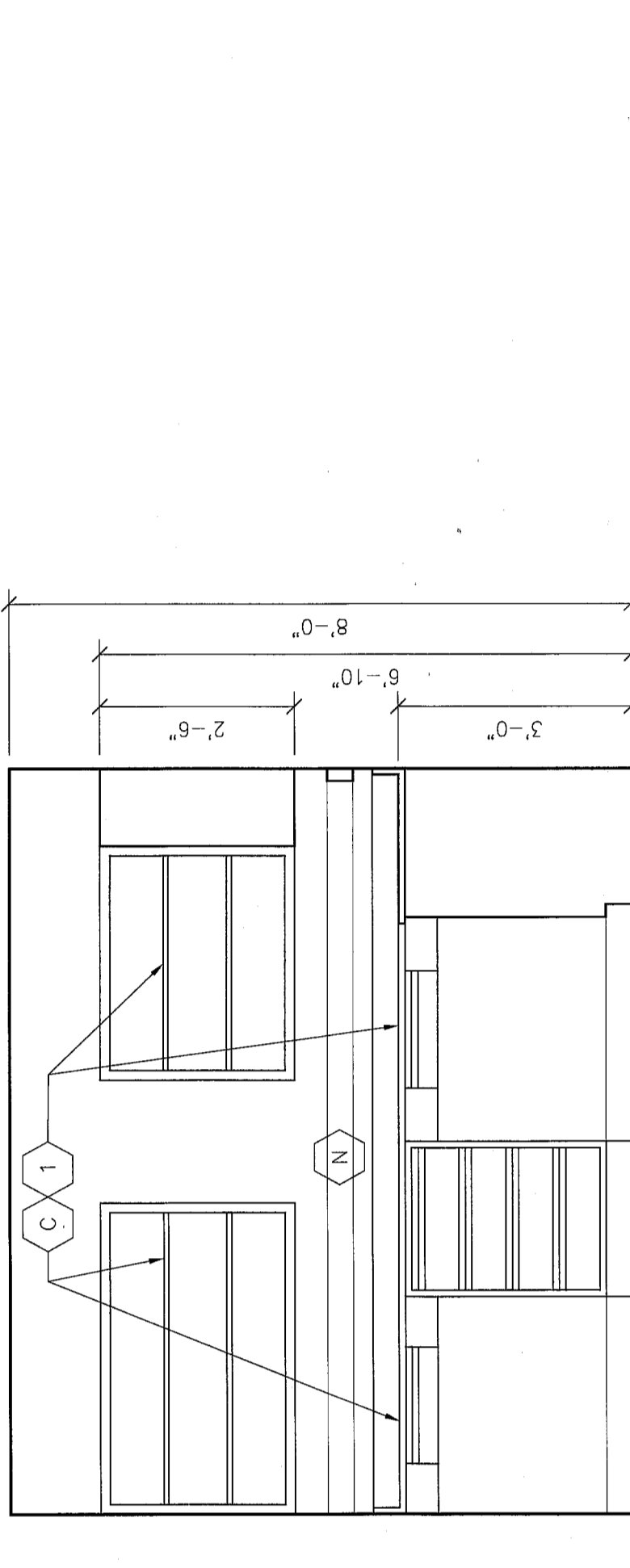
8 LAB M-B3  
1/2"=1'-0"



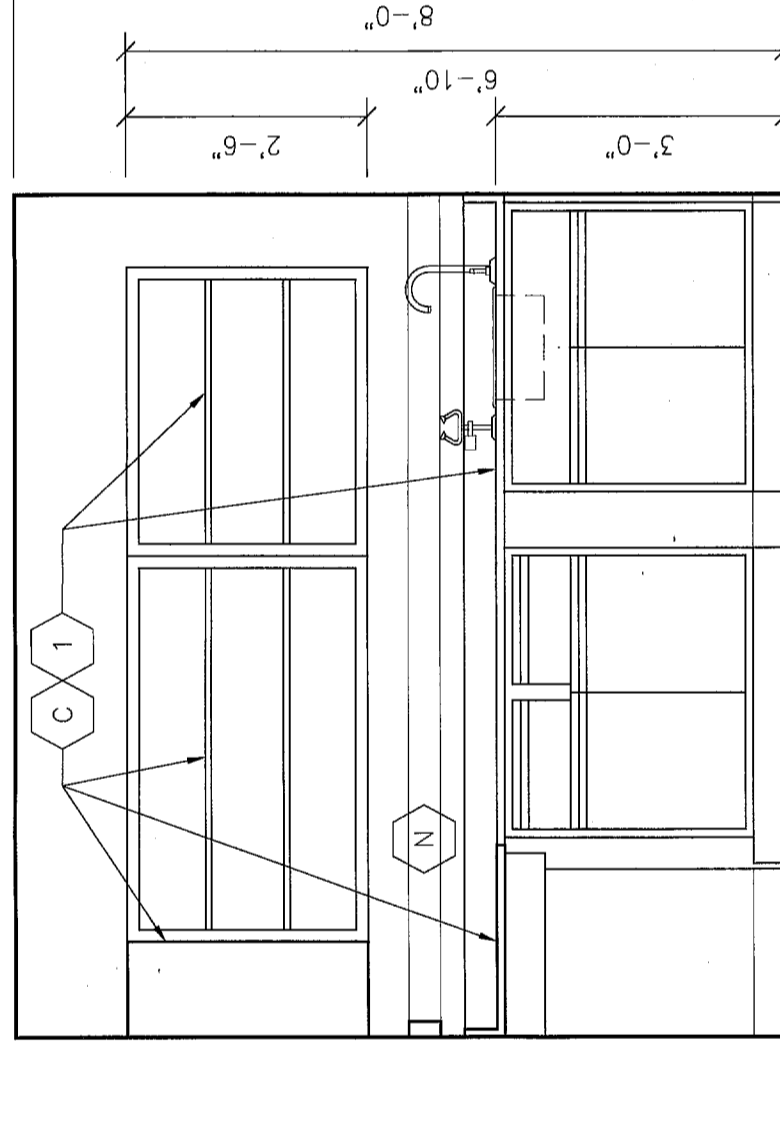
7 LAB M-B3  
1/2"=1'-0"



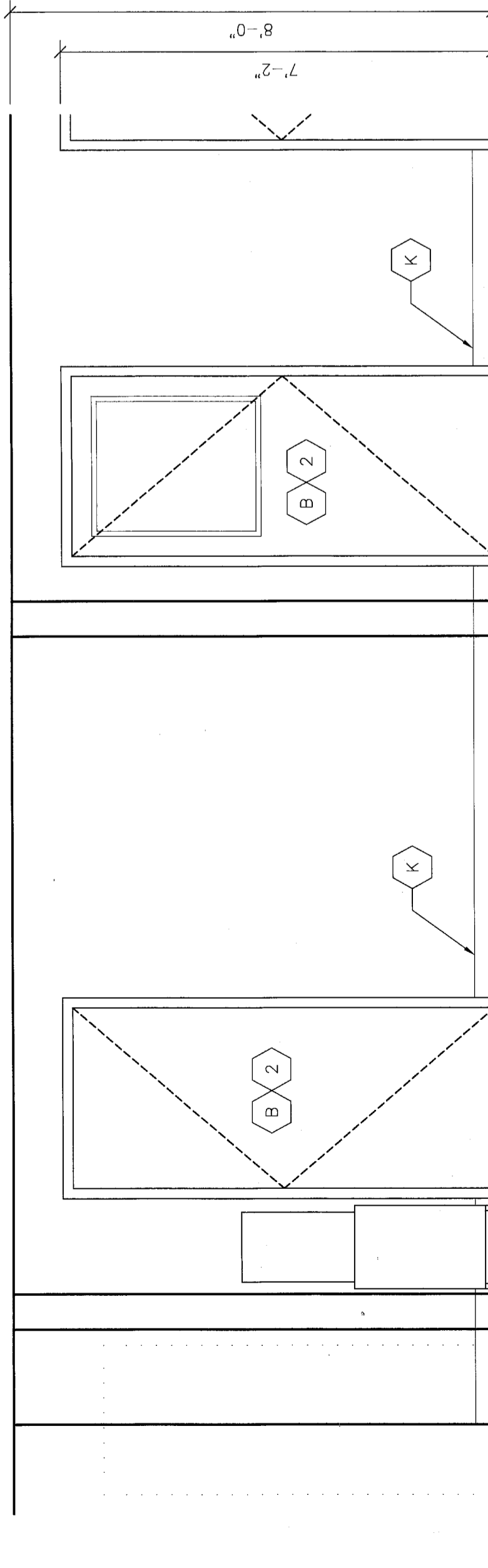
6 LAB M-B3  
1/2"=1'-0"



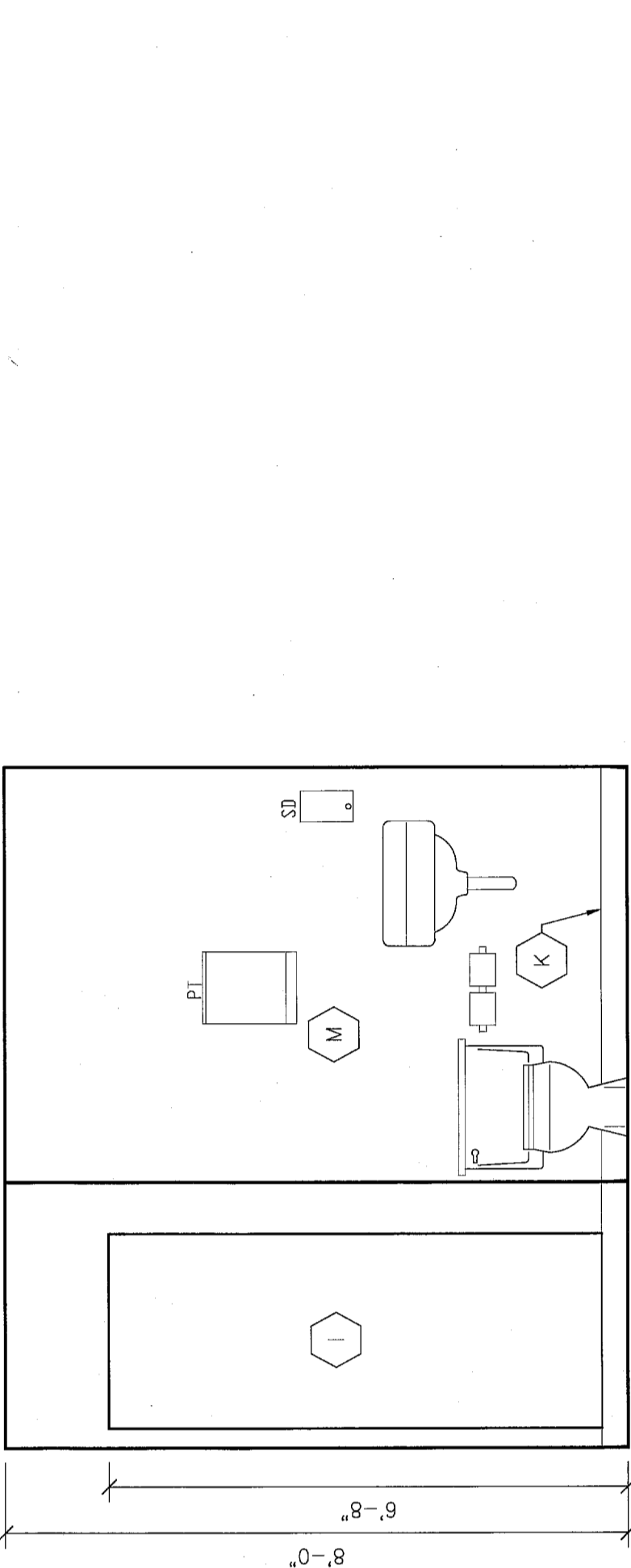
11 DARK ROOM M-B6  
1/2"=1'-0"



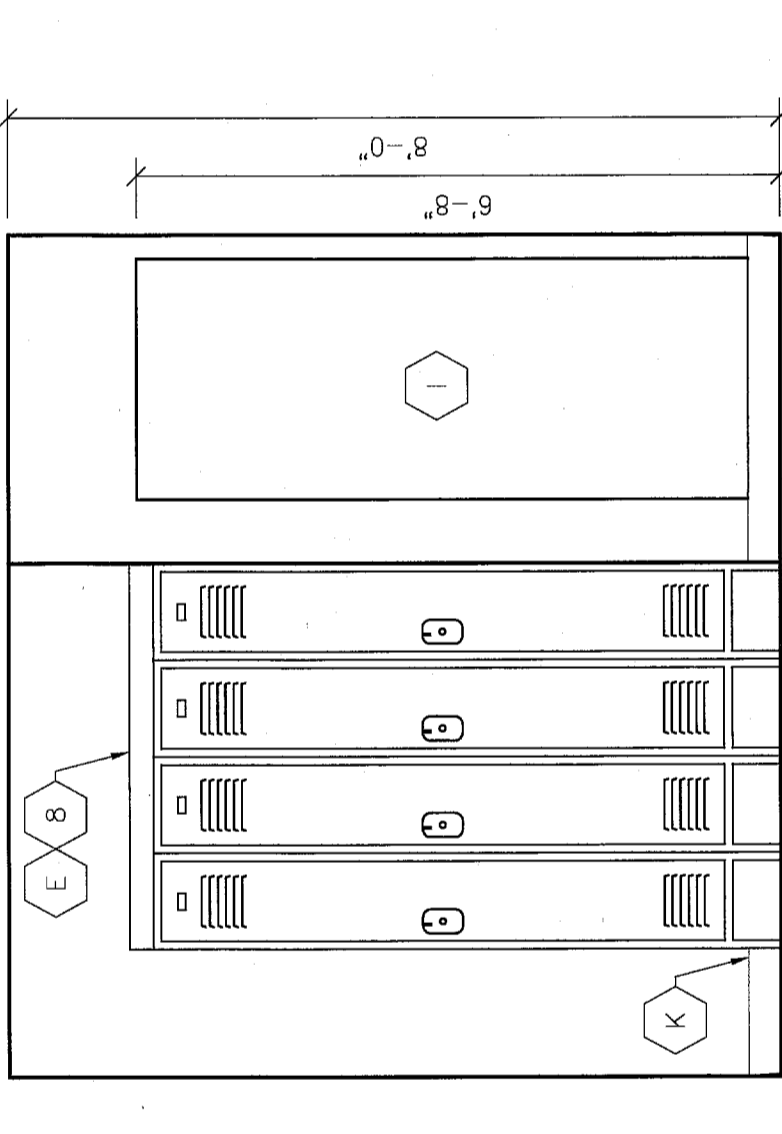
10 DARK ROOM M-B6  
1/2"=1'-0"



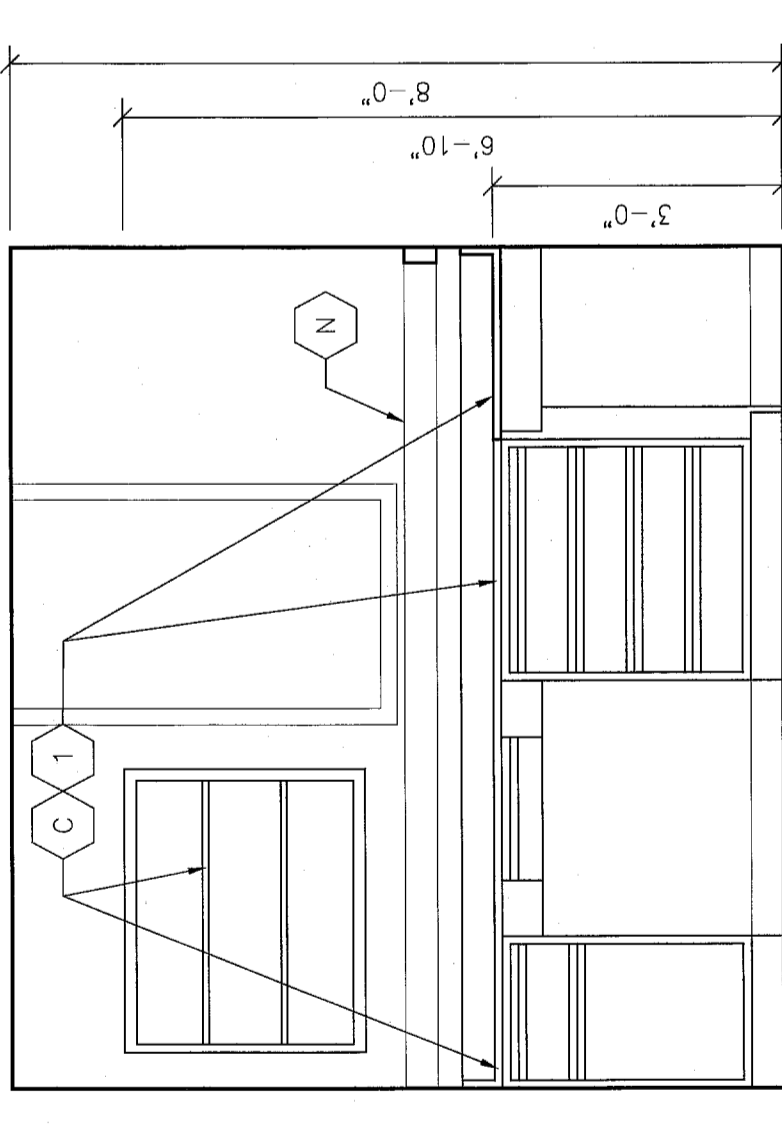
9 LAB M-B5  
1/2"=1'-0"



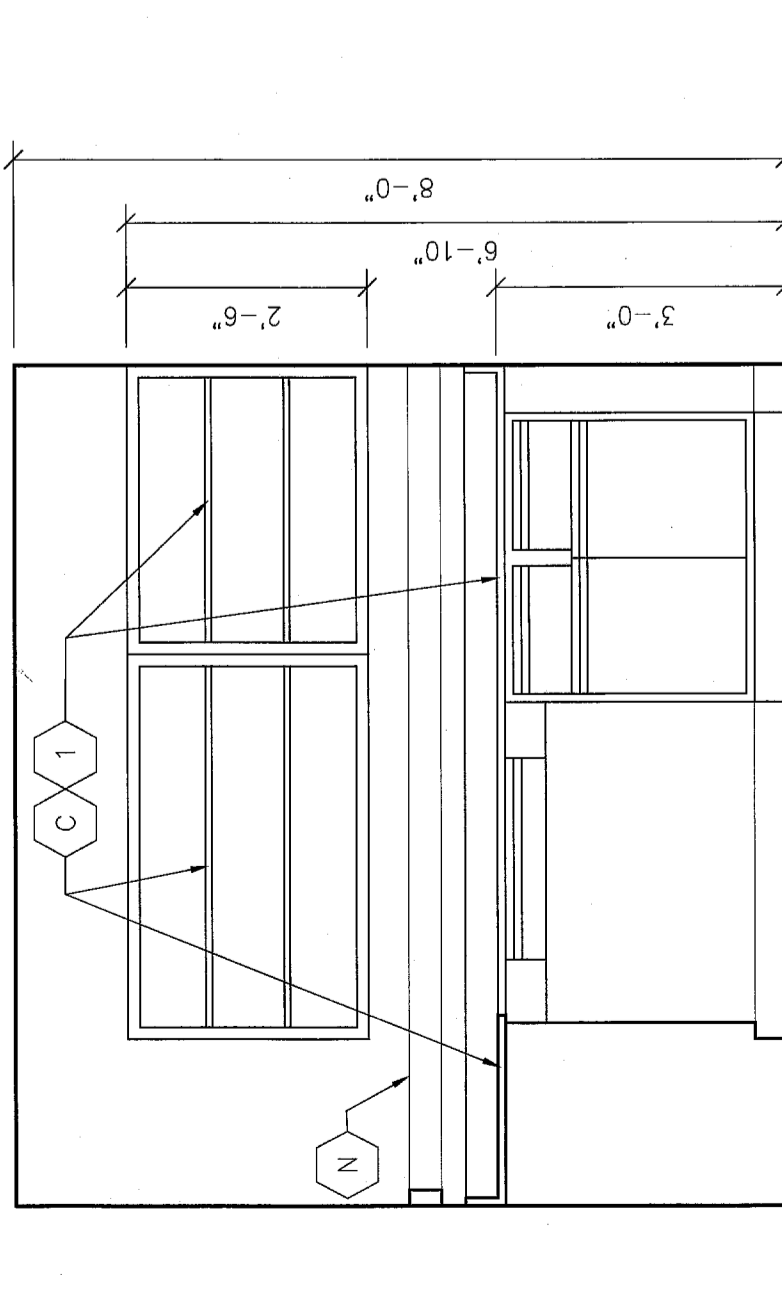
15 TOILET M-B8  
1/2"=1'-0"



14 LOCKERS M-B7  
1/2"=1'-0"



13 RAPID TESTING M-B5  
1/2"=1'-0"



12 RAPID TESTING M-B5  
1/2"=1'-0"